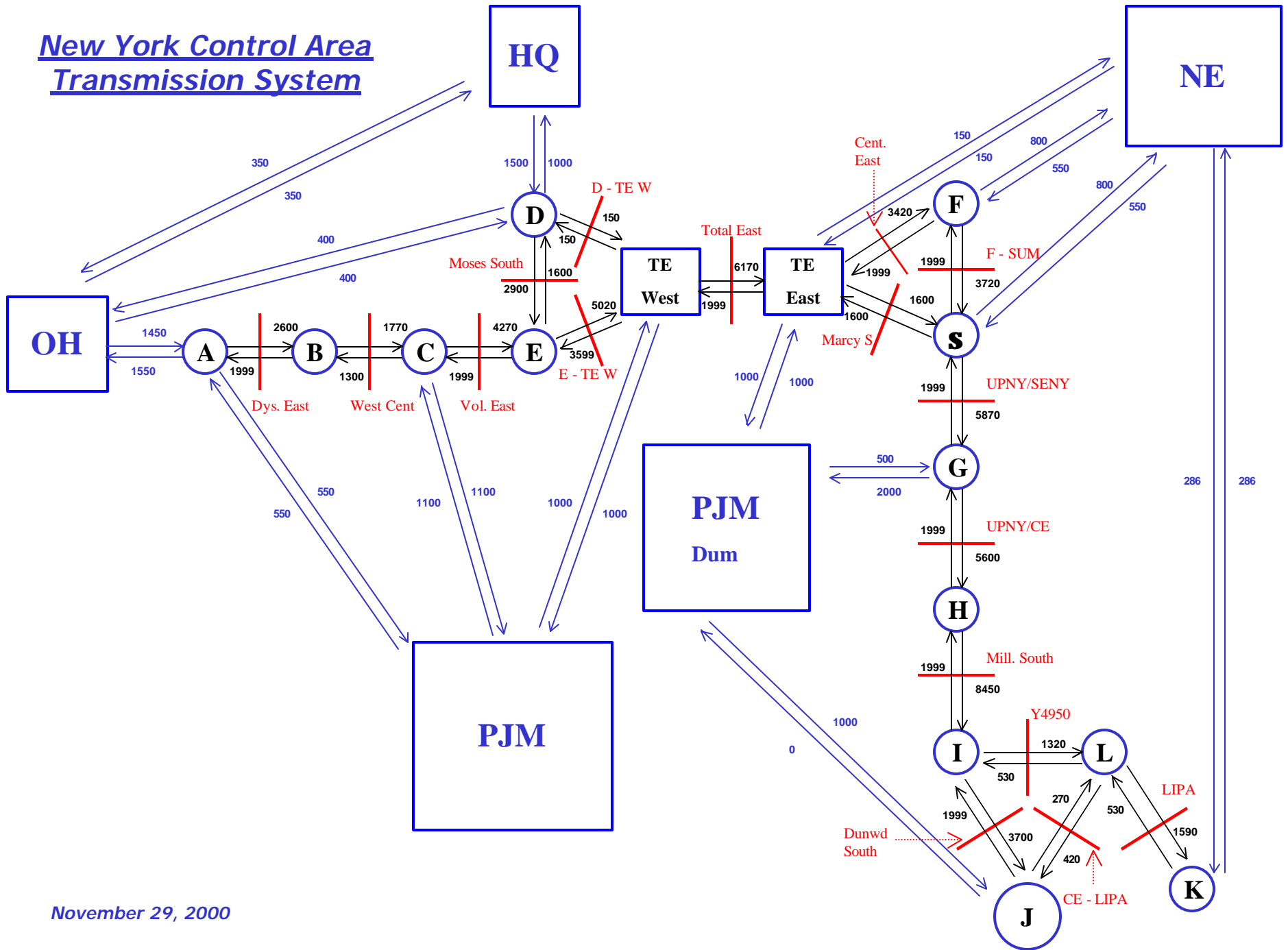


New York Control Area Transmission System



November 29, 2000