

**CECONY's
Reliable Clean City (RCC) Projects
Status Update**

Background

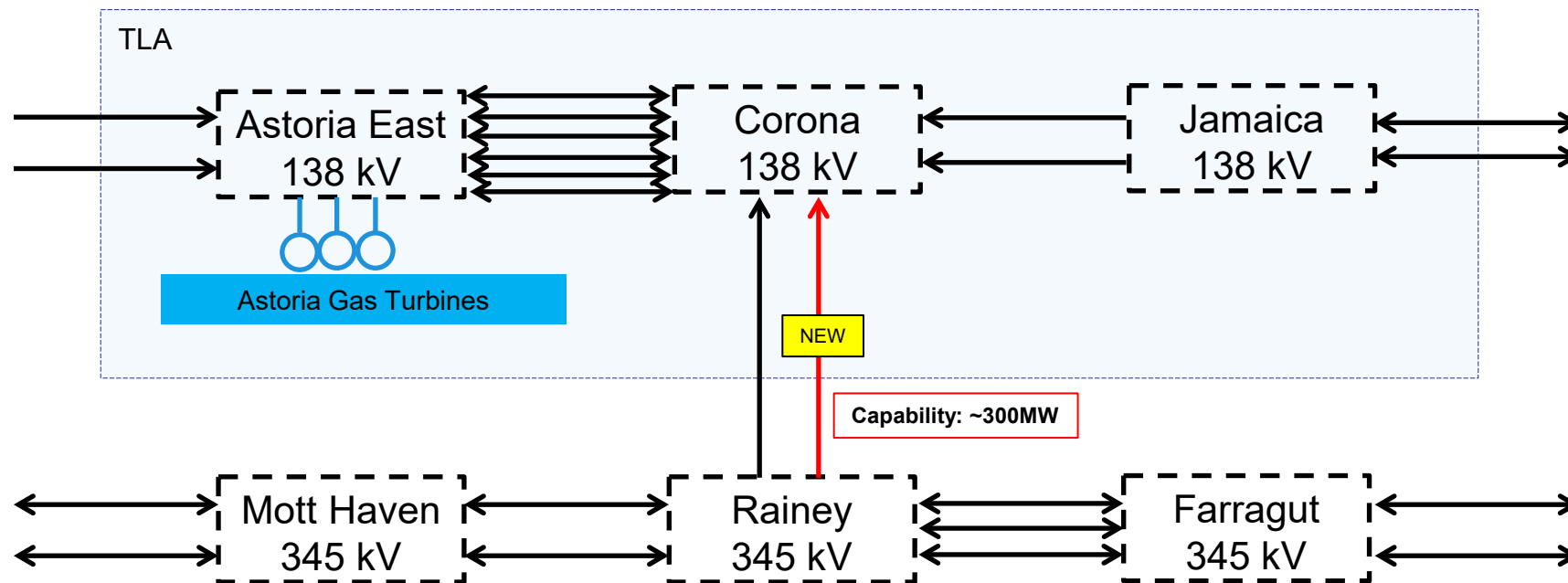
DEC NOx Peaker Rule Causes Local Non-BPTF Needs

- In 2019, the New York State Department of Environmental Conservation (DEC) adopted a regulation to limit nitrogen oxides (NOx) emissions from simple-cycle combustion turbines during the summer operating “ozone” season
- Planned status change for “key local units” as they relate to RCC Projects

Owner / Operator	Plant Name	Zone	CRIS	Assumed Deactivation Date	Transmission Load Area (TLA)
NRG Power Marketing, LLC	Astoria GT 2-1, 2-2, 2-3, 2-4	J	505.5	2023	Astoria East / Corona 138 kV TLA
	Astoria GT 3-1, 3-2, 3-3, 3-4	J		2023	
	Astoria GT 4-1, 4-2, 4-3, 4-4	J		2023	
Astoria Generating Company, L.P.	Gowanus 1-1 through 1-8	J	278.8	Retired: 11/1/2022	Greenwood / Fox Hills 138 kV TLA
	Gowanus 4-1 through 4-8	J			
	Gowanus 2-1 through 2-8	J	608.7	2025 Summer ONLY	
	Gowanus 3-1 through 3-8	J			
	Narrows 1-1 through 2-8	J			

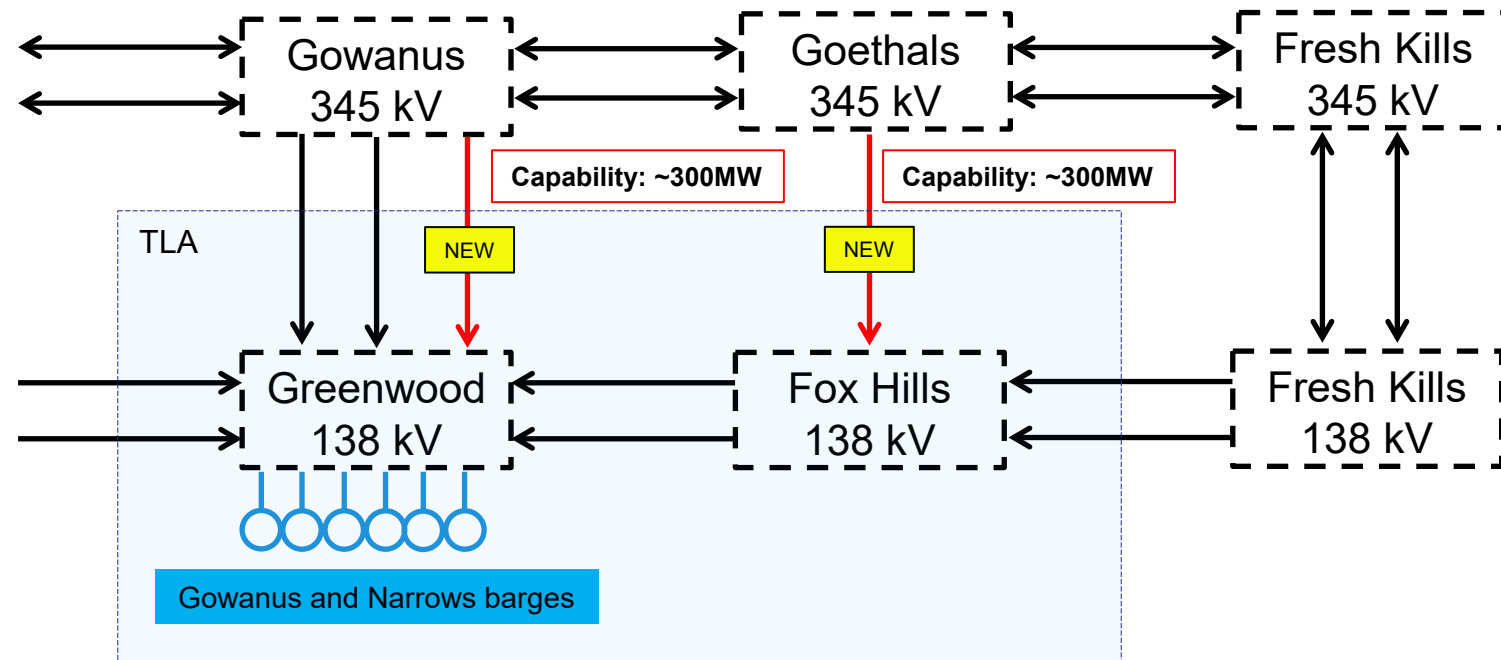
Astoria East / Corona & Jamaica Corona TLA

- Retirement of Astoria Gas Turbines results in a TLA deficiency starting in year 2023
- Solution for year 2023 (in-service date):
 - A new 345/138 kV PAR controlled Rainey – Corona feeder



Greenwood / Fox Hills TLA

- Unavailability of Gowanus and Narrows Barges result in a TLA deficiency starting in year 2025
- Solution for year 2025 (in-service date):
 - A new 345/138 kV PAR controlled Gowanus – Greenwood feeder
 - A new 345/138 kV PAR controlled Goethals – Fox Hills feeder



Links to Prior Presentations on RCC

- CECONY's Updated Local Transmission Plan (LTP): ESPWG 1/25/2021
 - [Update to CECONY's Local Transmission Plan \(LTP\) \(nyiso.com\)](#)
- CECONY's CLCPA Phase 1 Project Summary: ESPWG 2/9/2022
 - [Update to CECONY's Local Transmission Plan \(LTP\) \(nyiso.com\)](#)

1/24/2023 Update

CECONY's Reliable Clean City Project Summary

Project Name	Description	Project Need	Status	In-service Date
2 nd Rainey – Corona	New 345/138 kV PAR controlled Rainey – Corona feeder	Reliability, CLCPA	Construction	2023
3 rd Gowanus – Greenwood	New 345/138 kV PAR controlled Gowanus – Greenwood feeder	Reliability, CLCPA	Engineering / Construction	2025
Goethals – Fox Hills	New 345/138 kV PAR controlled Goethals – Fox Hills feeder * Goethals reconfigured as a 138 kV ring bus	Reliability, CLCPA	Engineering / Construction	2025

2nd Rainey – Corona Feeder (Project Status)

- January 2023
 - 6-mile 138kV UG Feeder Conduit
 - Rainey 300 MVA Auto Transformer
- February 2023
 - Rainey 300 MVA Phase Angle Regulator
 - 6-mile 138kV UG Cable Pull
- March 2023
 - 6-Mile 138kV UG Cable Splice
 - Corona 138kV Station Expansion
- April 2023
 - Rainey 345kV GIS Station Expansion
 - Testing and Commissioning
- May 2023
 - Ready for Energization



Thank you !