

Interconnection Projects Pre-Application Process

Melissa Cannon

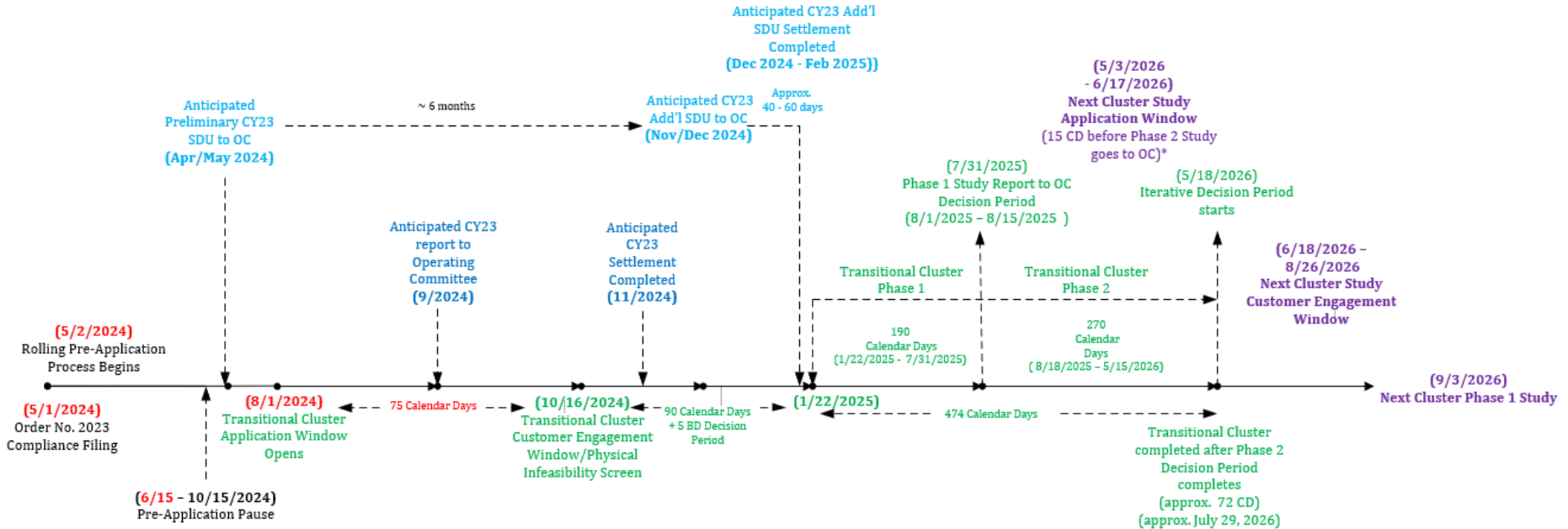
Senior Stakeholder Services Planning Liaison

Customer Support Focus Group

April 15, 2024

Revised Transition Cluster Timeline

(updated dates in red)



*The date of the NYISO's compliance filing is anticipated to be May 1, 2024, with an effective date of May 2, 2024. The anticipated start date for the Pre- Application Process is planned for May 2, 2024.

Pre-Application Process

Pre-Application Process

- **NYISO proposes to include in its compliance filing a Pre-Application process to further the goal of Order No. 2023 to provide greater information access to potential Interconnection Customers.**
- **The Pre-Application Process is optional and would be available to prospective projects interested in entering a Cluster Study.**

Pre-Application Process

- Any requester (whether in the interconnection queue or not) can submit a request using the Pre-Application Request form.
 - \$5,000 per Point of Interconnection
 - 25% allocated to NYISO
 - 75% allocated to Connecting TO/Affected TOs
 - Maximum of 2 POIs per Pre-Application Request
 - Pre-Application Requests can be submitted on a rolling basis at any time except during the following 90-day timeframe:
 - 45-calendar days before a Cluster Application Window begins through the end of the Application Window
 - This pause will enable the NYISO/NYTOs to focus on completing pending Pre-Application Requests and timely validating Interconnection Requests in the Application Window.
 - Pre-Application Request form template is posted with the meeting materials

Pre-Application Process, cont.

- **NYISO will route the Pre-Application Request to the applicable Connecting Transmission Owner**
 - Upon the Transmission Owner confirmation that it is the Connecting Transmission Owner, it will proceed to a scoping meeting
 - Connecting Transmission Owner will complete the Pre-Application Report within 25 Business Days after the Pre-Application scoping meeting.
- **Information available in a Pre-Application Report* (see template posted with meeting materials):**
 - POI line/substation name, ID, bus numbers and circuit IDs, voltage, ratings (normal, LTE and STE), terminal end stations
 - For sub-transmission and distribution POIs, circuit loading, peak and minimum load, existing generation MW and proposed generation MW
 - Additional Information (e.g., description of potential new substation bus configuration (not a conceptual one-line diagram), transmission constraints, planned transmission upgrades, parallel lines, breaker rating, available breaker positions, existing/known constraints known physical feasibility issues)

*To the extent readily available data exists

Interconnection Projects Portal (IP Portal)

Home Screen – Interconnection Customers (IC)



INQUIRIES FINANCIALS LOGOUT

WELCOME TO THE NYISO INTERCONNECTIONS PROJECTS COMMUNITY!

- Click on a **button** below to initiate a new Interconnections Request. By starting a new IR, you will be the primary contact.
- Select one of the **Projects** below by clicking on the project name to view project details, milestones and required actions.
- Click [here](#) to view the Interconnection Process on the NYISO website for more details.
- This site is best viewed using the current browser version of Firefox, Chrome and Safari. This site is not compatible with Internet Explorer.
- ****NEW**** Click [here](#) to review Knowledge Articles pertaining to Planning and the Interconnection process.

“NEW FEATURE” CONTACT STAKEHOLDER SERVICES IP SUPPORT

Transmission Interconnection Request

MY PROJECTS

Project Name	Queue Number	Status	Type
Kim's New Big Wind Project		eSignature Pending	Facility

[View All](#)

Small Generator Interconnection Request

MY PRE-APPLICATIONS

Project Name	Pre-Application Number	Status	Report Due Date
Kim's Project proposal	PA-55	Submitted	
Kim's Off shore Windy Wind Project	PA-61	Complete	
Kim's other Wind project	PA-64	Submitted	
New Kims Big Wind Project	PA-106	In Progress	
Test decline CTO viability Project	PA-113	Submitted	
Kim Test temp/mix air Rtes	PA-122	Complete	
Test decline no longer shows on CTO view	PA-125	Submitted	
Final Test Kim end-to-end	PA-130	Complete	

[View All](#)

Generating Facility Interconnection Request

OPEN ADDITIONAL INFORMATION REQUESTS

Title	Due Date	Project Name	Points of Interconnection
a3xRK0000001ZB		Kim's Off shore Windy Wind Project	In the middle of the Atlantic ocean
a3xRK0000001MqN		New Kims Big Wind Project	Just to the east of the bahamas
a3xRK0000001h0z		New Kims Big Wind Project	Just to the east of the bahamas
confirms POI	2/15/2024	New Kims Big Wind Project	Just to the east of the bahamas

There will be a new option on the home page to submit a Pre-Application.

Submitted pre-applications will show in a new section – “My Pre-Applications.”

Any open requests for additional information will show in the new section – “Open additional information requests.”



Completing the Pre-Application

- Click the Pre-Application button and a new window presents to begin the application by selecting Start Pre-Application.



🏠 INQUIRIES FINANCIALS LOGOUT

WELCOME TO THE NYISO INTERCONNECTIONS PROJECTS COMMUNITY!

Facility Interconnections Pre-Application

Welcome to the NYISO Pre-Application

Please complete all the fields on the pre-application form, attach the pre-application document and any other required files. When finished, please click next and then submit the acknowledgement. After submission, the pre-application will be available on the home page under pre-applications.

Start Pre-Application

Pre-Application

- Complete all fields
- Upload Pre-Application
 - www.NYISO.com/interconnections - Additional Request Forms Section
- Select Next

The screenshot shows a web application interface for the NYISO Interconnections Projects Community. At the top, there is a navigation bar with links for 'INQUIRIES', 'FINANCIALS', and 'LOGOUT'. Below this is a welcome message: 'WELCOME TO THE NYISO INTERCONNECTIONS PROJECTS COMMUNITY!'. The main content area is titled 'Facility Interconnections Pre-Application'. The form is divided into several sections:

- Required Company:** Submitter: Kim Sebben.
- Project Details:** Includes fields for Project Name, Point of Interconnection, Secondary POI (Optional), Output Power Rating MW Summer, Output Power Rating MW Winter, Output Power Rating MVA Summer, and Output Power Rating MVA Winter.
- Pre-App Fee Submission Information:** Includes fields for Date of Payment Submission, FED Ref#, and Amount of Payment.
- Application File Uploads:** Includes an 'Upload Files' button and a dashed box for 'Or drop files'.

At the bottom right of the form, there are 'Previous' and 'Next' buttons.

Submitting Pre-Application

- Screen presents the data you entered and allows you to
 - Submit or
 - Choose Previous to go back and correct data or review attached file(s).

Facility Interconnections Pre-Application

Company Name
Submitter
Kim Sebben

▼ Contact Information

First Name Kim	Job Title
Last Name Sebben	Telephone
Company	Email ksebben@nyiso.com.invalid

▼ Project Details

Project Name Training Pre-App Demo Project	Output Power Rating MW Summer 30
Point of Interconnection East of Long Island	Output Power Rating MW Winter 30
Secondary POI (Optional)	Output Power Rating MVA Summer 30
	Output Power Rating MVA Winter 30

▼ Pre-App Fee Submission Information

Date of Payment Submission
March 11, 2024

FED Ref#
123799-2736gh

Amount of Payment
5,000

▼ Application File Uploads

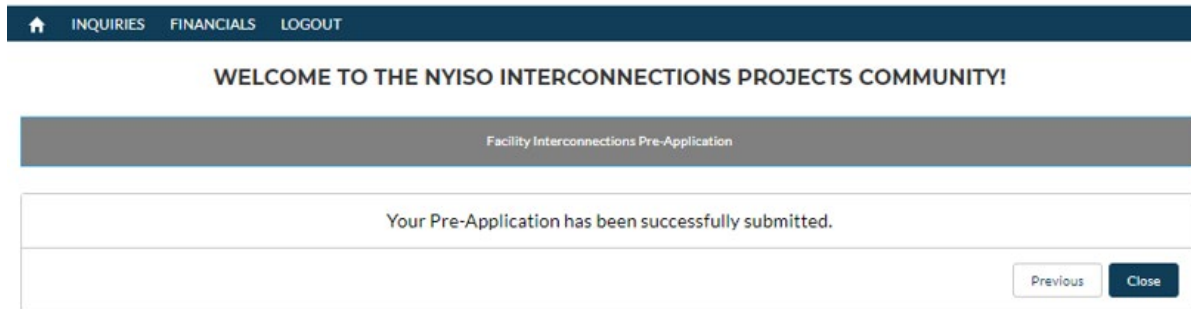
Your file(s) have been attached. To view them prior to submitting please use the previous button.

I hereby certify that, to the best of my knowledge, all the information provided in this Pre-Application Request Form is true and correct.

Previous Submit

Pre-application confirmation

- Once Submitted you will receive a confirmation on screen



- The pre-application will also be available on the home screen in the pre-application section.
 - Click on project name to be brought back into pre-application.

Pre-App actions

- **Additional information will be updated/completed by NYISO & CTO(s).**
 - Project Status
 - Pre-App Scoping Meeting Date
 - Report Due Date(25 BDs from Scoping meeting date)
 - CTO & CTO contact details
 - Additional information Requests (AIR)
 - Final pre-application report

- **Interconnection Customer can:**
 - View information
 - Access file(s)
 - Manage Project Contacts
 - Respond to AIR

WELCOME TO THE NYISO INTERCONNECTIONS PROJECTS COMMUNITY!

Pre-Application Number PA-133	Project Status Complete	<div style="border: 1px solid #ccc; padding: 5px;"> <p>Additional Information Req... (3) ▼</p> <p>Test - Please provide CTO additional Study ...</p> <p>Due Date: 3/7/2024 AIR Status: Closed Created Date: 3/5/2024 7:25 AM</p> <p>Test - original LOC document</p> <p>Due Date: 3/6/2024 AIR Status: Open Created Date: 3/5/2024 7:26 AM</p> <p>Test - updated one line diagram</p> <p>Due Date: 3/7/2024 AIR Status: Open Created Date: 3/5/2024 7:30 AM</p> <p style="text-align: right;">View All</p> </div>
Primary Contact 1 Kim Sebben		
CTO Contact Details Kim Sebben @ Ksebben@nyiso.com 518-356-7000		
▼ Contact Information		
First Name Kim	Job Title	
Last Name Sebben	Telephone	
Developer Name	Email ksebben@nyiso.com.invalid	
▼ Project Details		
Points of Interconnection 1 East of Nowhere	Output Power Rating MW Summer 1 100.00	
Project Name Training Demo Project	Output Power Rating MW Winter 1 100.00	
Alternate Points of Interconnection	Output Power Rating MVA Summer 1 100.00	
	Output Power Rating MVA Winter 1 100.00	
▼ Key Dates		
Completion Date 3/5/2024	Pre-App Scoping Meeting Date 3/29/2024	
Date Submitted 3/5/2024	Report Due Date 5/3/2024	
▼ Pre-App Fee Submission Information		
Date of Payment Submission 3/4/2024		
FED Ref# TG457#heb&		
Amount of Payment \$5,000.00		

Manage Project Contacts

Manage Project Contacts

- Click Manage Project Contacts
- Select Add New tab
- New screen presents & complete all fields
 - By selecting "Yes" to Grant CEII access, an email will be sent to the individual to complete the required CEII/Non-Disclosure Agreement request.
 - Once the CEII/Non-Disclosure Agreement request is completed and the individual is approved, the CEII approval date will be added to contact which can be seen on Project Roles 'View All'.

HOME INQUIRIES FINANCIALS LOGOUT

WELCOME TO THE NYISO INTERCONNECTIONS PROJECTS COMMUNITY!

ALL PROJECT CONTACTS ADD NEW

Project Roles								
2 items • Updated a few seconds ago								
Edit	Full Name	Role	Active	Date Started	Date Stopped	CEII Approved D...		
1	EDIT	Kim Sebben	Primary	<input checked="" type="checkbox"/>	3/5/2024		3/1/2024	
2	EDIT	Selina Dean	Secondary	<input checked="" type="checkbox"/>	3/5/2024		3/1/2024	

Project Contact

Contact Information

First Name * Last Name *

Company *

Title *

Country * Street *

City * Zip/Postal Code *

Telephone *

Email Address *
Do not use a group/shared email address, email address must be unique.

Project Role

Project Training Demo Project

Current Role

To change primary contact role, select a new contact to update to primary.

New Role *

Role End Date
End dating prior to access needing to be removed may cause visibility issues in the portal.


By selecting "Yes" to Grant CEII Access, an email will be sent to this contact with a personalized link to the CEII Non-Disclosure form to complete. The CEII form is required to gain access to studies that are in progress.

Grant CEII Access * Yes No

[Submit](#)

Additional Information Requests (AIR)

- Click View All in AIR box
- Click Title of AIR you want to see additional details or provide response

 Additional Information Req... (3) ▼

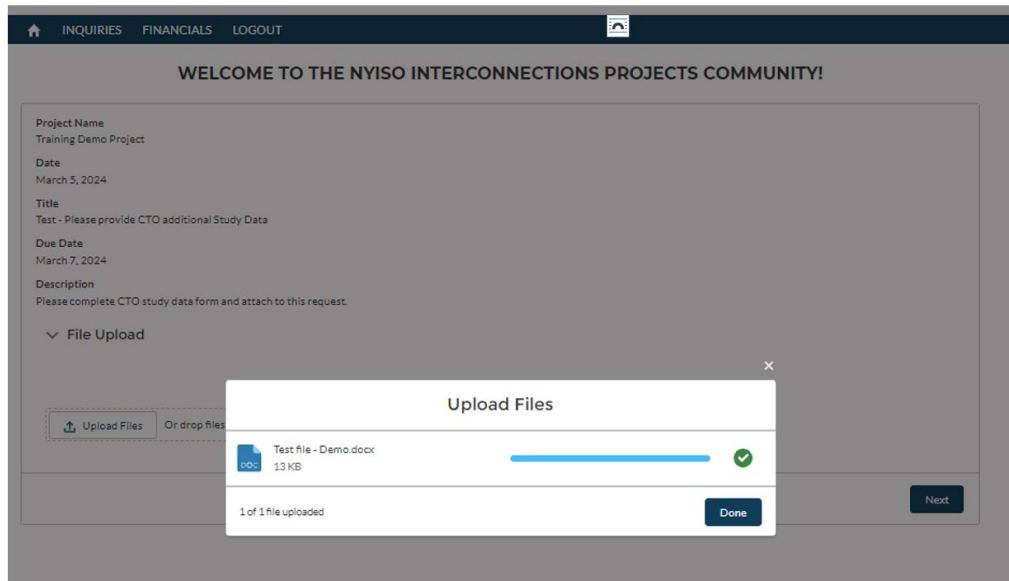
Test - Please prov...	Test - original LO...
Du... 3/7/2024	Du... 3/6/2024
AIR... Open	AIR... Open
Cre... 3/5/2024 7:25 ...	Cre... 3/5/2024 7:26 ...
Test - updated on...	
Du... 3/7/2024	
AIR... Open	
Cre... 3/5/2024 7:30 ...	

[View All](#)

Additional Information Requests			
3 items • Updated a few seconds ago			
Title	Due Date	AIR Status	Created Date
1 Test - Please provide CTO additional Study Data	3/7/2024	Open	3/5/2024 7:25 AM
2 Test - original LOC document	3/6/2024	Open	3/5/2024 7:26 AM
3 Test - updated one line diagram	3/7/2024	Open	3/5/2024 7:30 AM

Responding to AIR

- Click into AIR title on main page
- Choose upload files & select document(s)
- Click done
- AIR status will change to closed & document(s) will be available in Pre-Application Files section



Pre-Application Files (3)			
File Name	AIR Title	File Link	Created Date
Order No. 2023 Compl...		https://nyiso--qa.sandbox...	3/5/2024
Test file - Demo.docx	Test - Please provide CT...	https://nyiso--qa.sandbox...	3/5/2024
Test file - Results Repor...		https://nyiso--qa.sandbox...	3/5/2024

Pre-Application complete

■ CTO will upload Final Pre-Application Report

- Completion date will be updated,
- Project Status will be changed to Complete
- Notification sent to submitter
- Report can be accessed from Pre-Application Files section
- Click File Link

Pre-Application Files (3)			
File Name	AIR Title	File Link	Created Date
Order No. 2023 Compl...		https://nyiso--qa.sandbox...	3/5/2024
Test file - Demo.docx	Test - Please provide CT...	https://nyiso--qa.sandbox...	3/5/2024
Test file - Results Repor...		https://nyiso--qa.sandbox...	3/5/2024

[Home](#) [INQUIRIES](#) [FINANCIALS](#) [LOGOUT](#)

WELCOME TO THE NYISO INTERCONNECTIONS PROJECTS COMMUNITY!

File Name	Pre-Application
Test file - Results Report.docx	Training Demo Project
AIR Title	AIR
File Link	
https://nyiso--qa.sandbox.my.salesforce.com/sfc/p/50000003njzP/a/RK00000049mH/jiirVr211NFJAhdZjs7.YSkAizAjh8ffid0pJhoIYKO	
Created Date	Last Modified By
3/5/2024	Test.Kim Con Ed.Kim , 3/5/2024 7:53 AM
Created By	
Test.Kim Con Ed.Kim , 3/5/2024 7:53 AM	

Notifications that will be generated

- An Email to notify the CTO of a new project assignment
- An Email notification to the Planning Team if CTO declines an assignment
- An Email to notify the Interconnection Customer who submitted the pre-application when a file is uploaded
- An Email to notify Interconnection Customer a new Additional Information Request is submitted
- An Email to notify CTO when an Additional Information Request is completed
- An Email to notify Interconnection Customer that the CTO has uploaded the final report
- An Email to notify Interconnection Customer that the CTO has withdrawn the Pre-Application

Questions?

Roles of the NYISO

- **Reliable operation of the bulk electricity grid**
 - Managing the flow of power on 11,000 circuit-miles of transmission lines from hundreds of generating units
- **Administration of open and competitive wholesale electricity markets**
 - Bringing together buyers and sellers of energy and related products and services
- **Planning for New York's energy future**
 - Assessing needs over a 10-year horizon and evaluating projects proposed to meet those needs
- **Advancing the technological infrastructure of the electric system**
 - Developing and deploying information technology and tools to make the grid smarter

Our Mission & Vision



Mission

Ensure power system reliability and competitive markets for New York in a clean energy future



Vision

Working together with stakeholders to build the cleanest, most reliable electric system in the nation